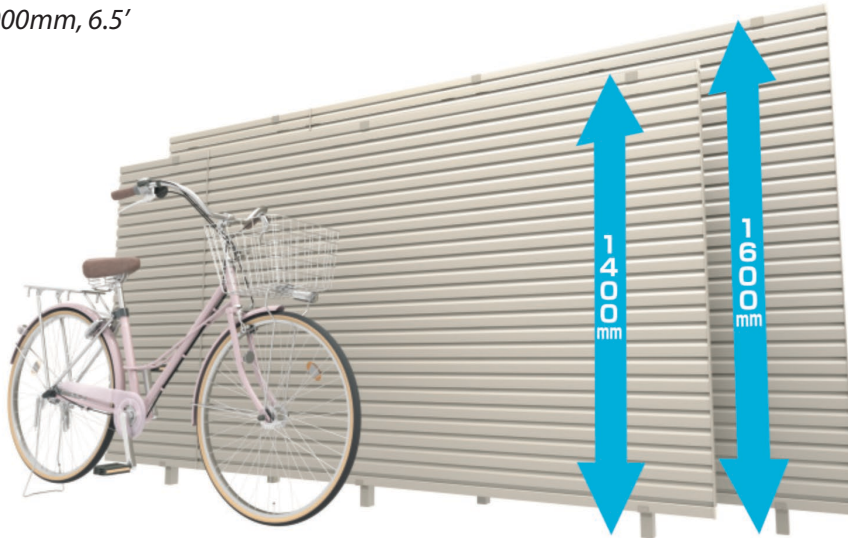


# Fence CEF-H Tall

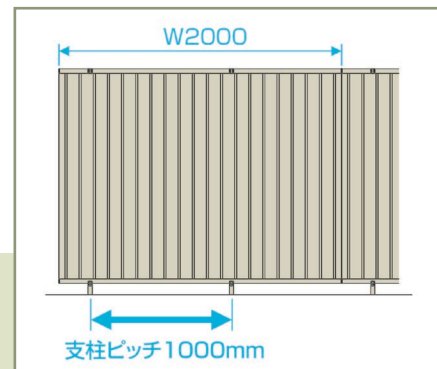
Finished Height: 55"/63" for taller fence see Stacking Fence.

W: 2000mm, 6.5'

# Kunkel Works



### Colors



The taller fence panels need additional posts.

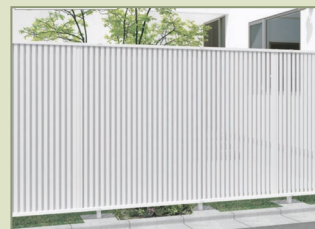
### YL1



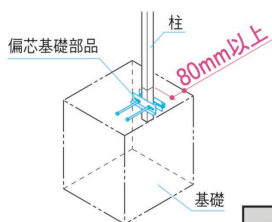
### YM1



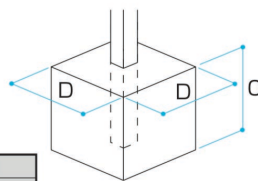
### TL1



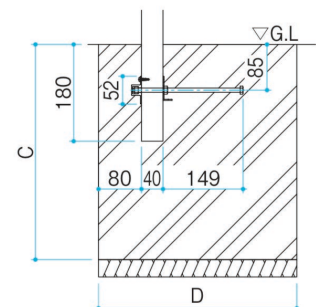
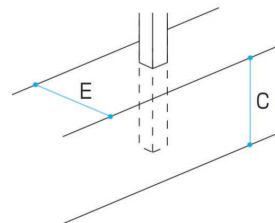
### TM1



### ・独立基礎



### ・連続基礎



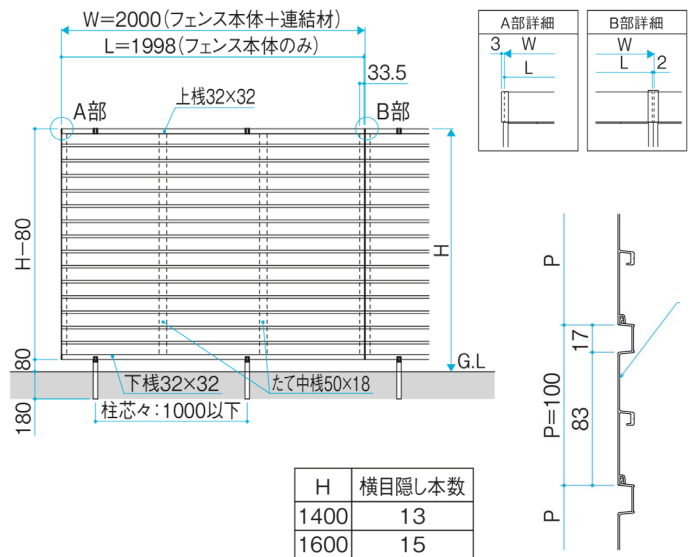
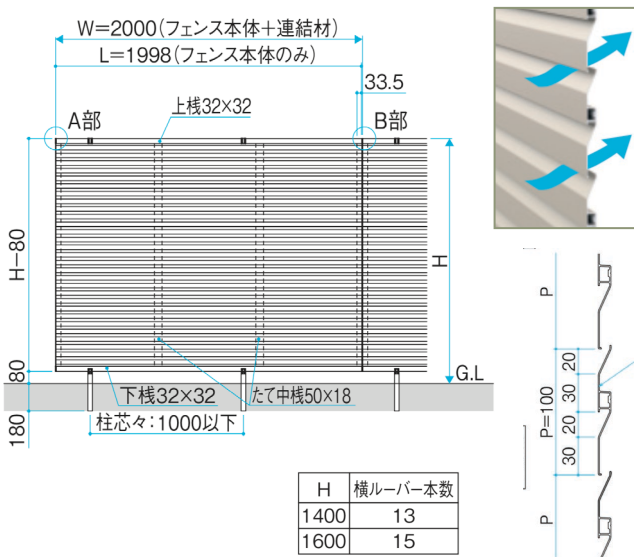
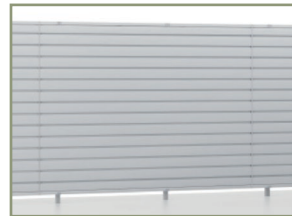
呼称	基礎寸法(mm)		
	C	D	E
H14	550	300※	300
H16	550	350	300

# Fence CEF-H YL1, YM1

Finished Height: 55"/ 63" for taller fence see Stacking Fence.

W: 2000mm, 6.5'

**kunkel**  
**Works**



# Fence CEF-H TL1, TM1

Finished Height: 55" / 63" for taller fence see Stacking Fence.

W: 2000mm, 6.5'

