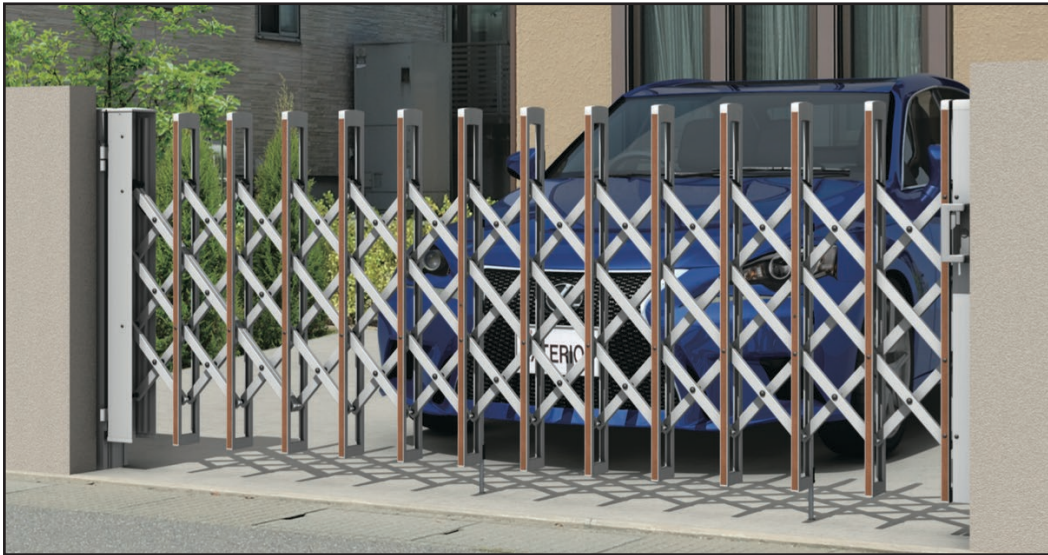


Non-Caster Accordion Gate

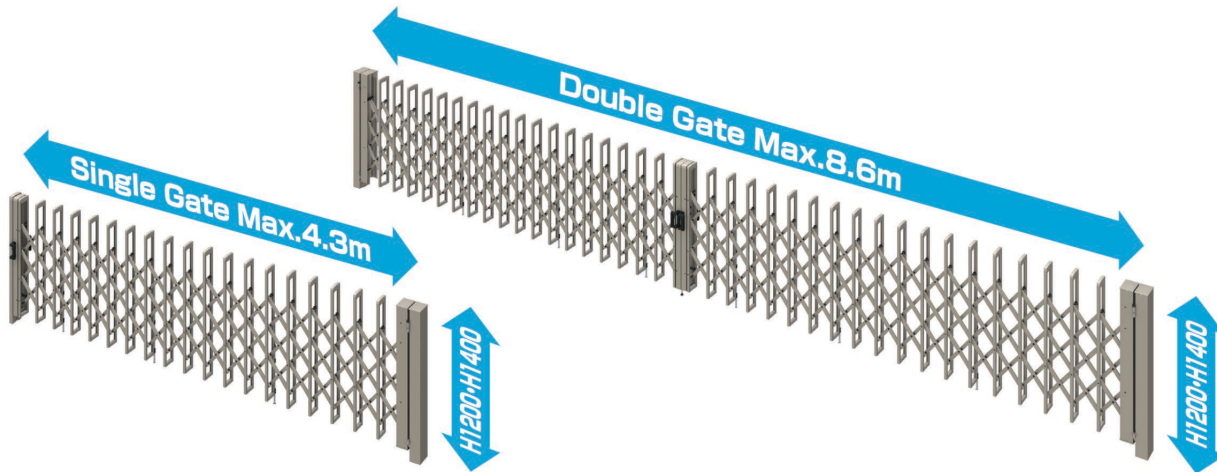


aluminium type			laminate type			
SLC Sun Silver	UC Urban Gray	BD Dark Bronze	TP Trad Pine	SLC Sun Silver	CM Choco Maple	SLC Sun Silver
			TPL		CML	

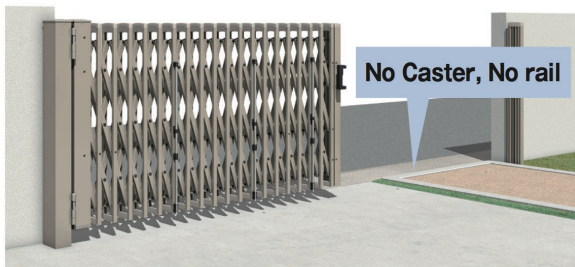


Height Choices:
 1210mm (4')
 1410mm (4.62')

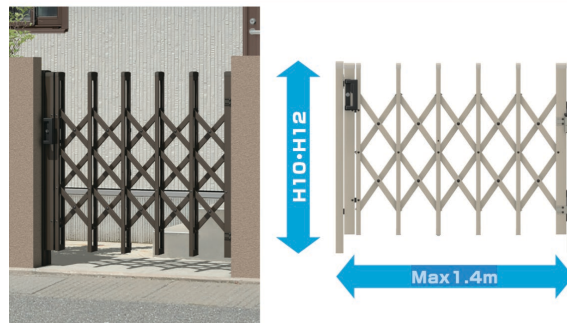
Premium Feature: Non-Caster type
 Maximum width 4.3m (single gate) and width 8.6m (double gate).
 (5.0m max with caster for single and 10m max with caster for double)



No Caster type, No required "flooring" nor "railing works".



HGN-M "Mini Gate" Non Caster Type



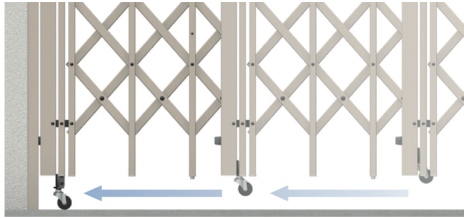
Call TODAY: 808-955-8211 • www.kunkelworks.com

Non-Caster Accordion Gate

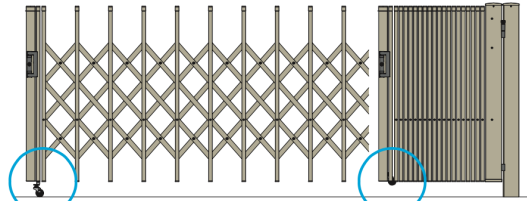


Caster type is available more wider width for W:5m single & W:10m double.

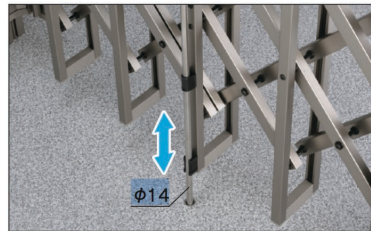
Non Caster: W: 13~W:43
Caster: W: 45~W:49



The caster is stored inside when it's open and automatically flip down-landing during close gate.



Down Stick-Lock



Easy lock & release action and Dia.14mm stick helps reduce gate shaking.

Universal Design Handle and Easy Operation. Dimple key helps safety.



Point

- 1 Grab handle and open in one action.
- 2 Easy Docking when door close.
- 3 Dimple key cylinder helps more safety.



Plastic Caps installed

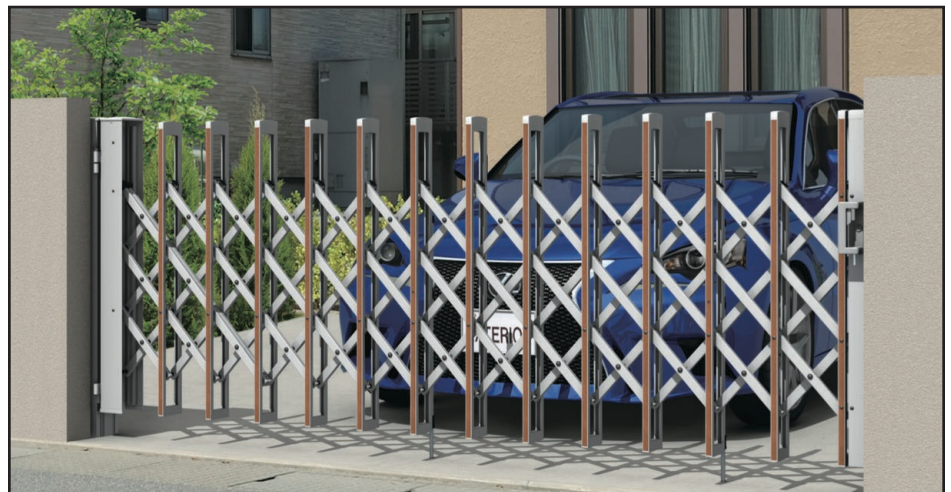
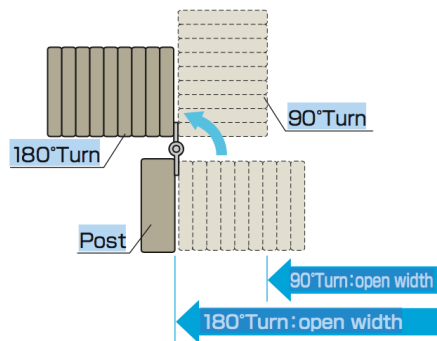


Shake Absorber Latch



Reduce shaking.

180°Turn Hinge makes wide open

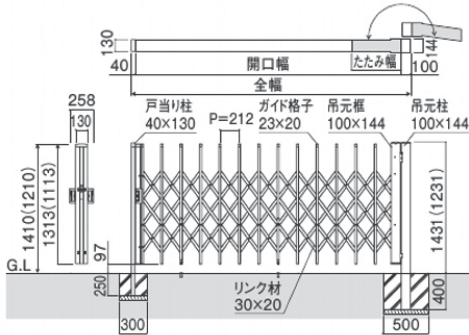


Non-Caster Accordion Gate

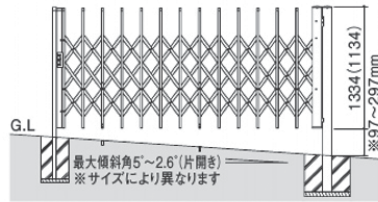
HGN

Kunkel Works

ノンキャスタータイプ (13S~43S)

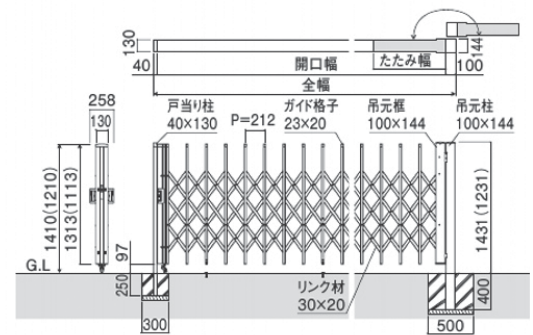


ロング柱使用時



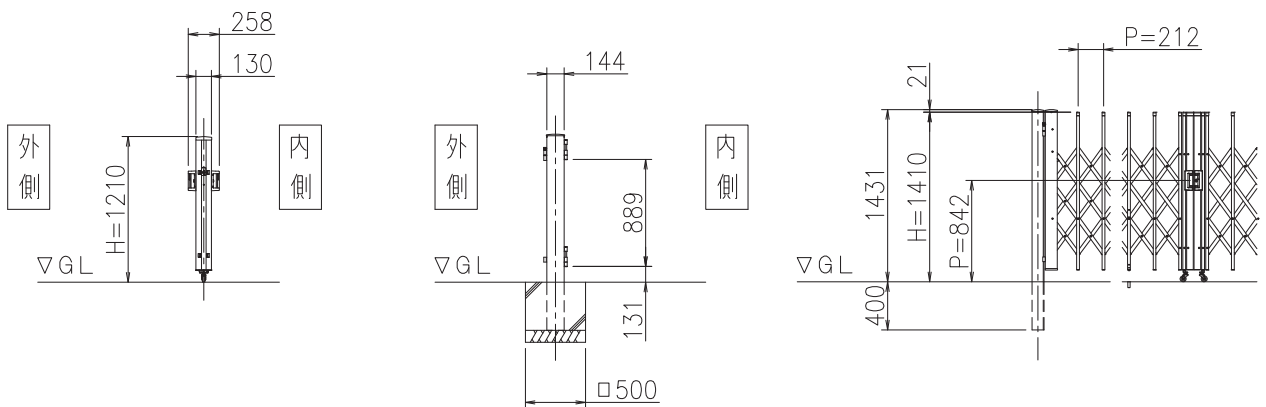
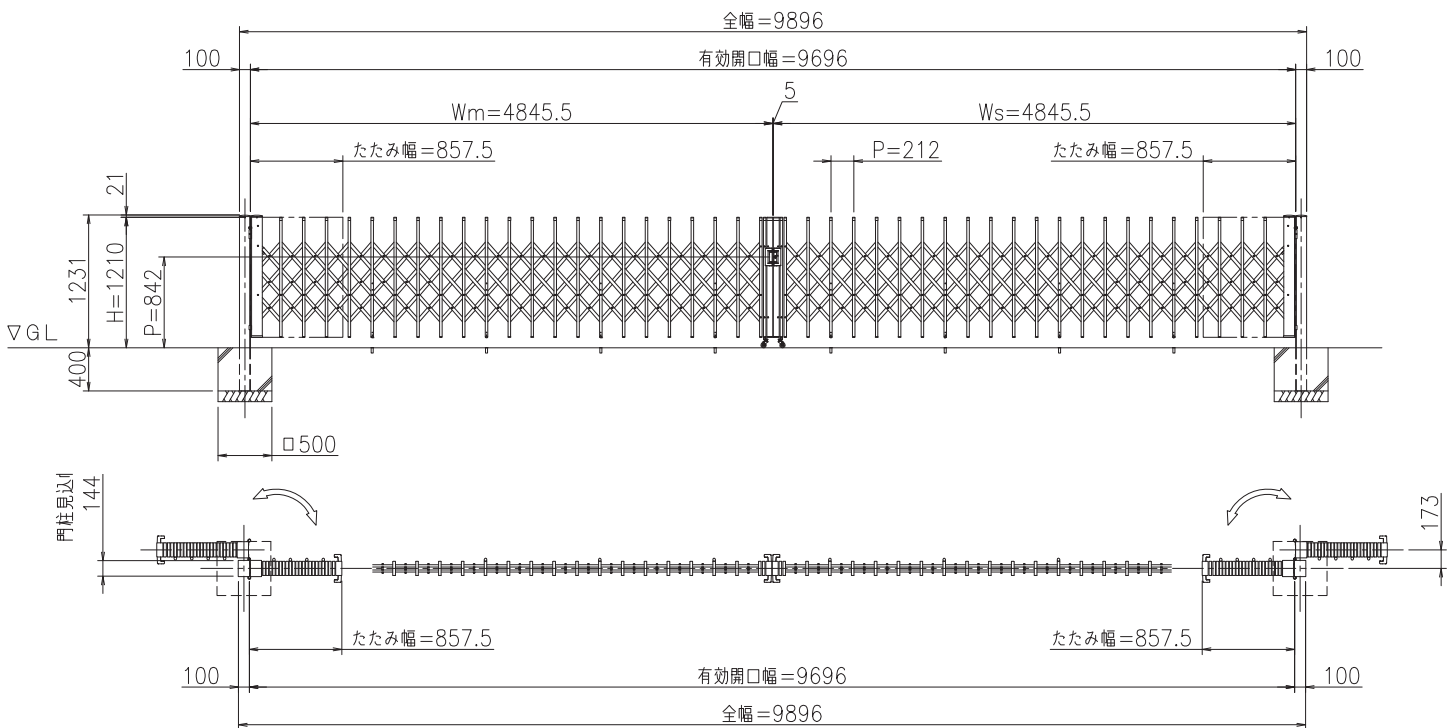
※ロング柱の場合、G.Lから本体までのすき間が97~297mmまで調整できます(すき間の寸法にとまなない、埋め込み寸法は変わります)。

先頭キャスタータイプ (45S・49S)



() 内寸法はH=1210の場合を示します。

サイズ特注 片開きタイプ: 15S・19S・24S・36S / 両開きタイプ: 30W・38W・48W・72W



Call TODAY: 808-955-8211 • www.kunkelworks.com